

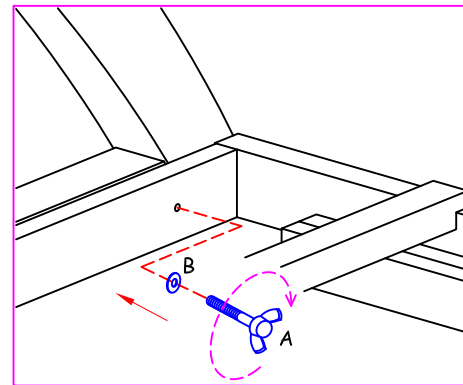
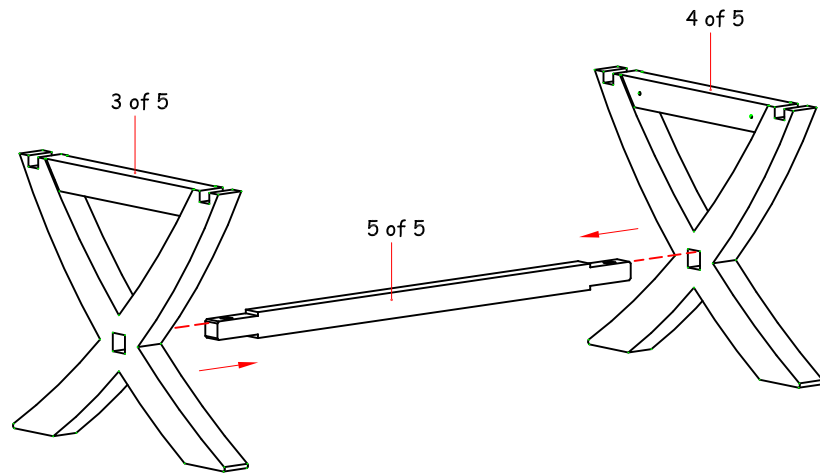
ASSEMBLING INSTRUCTION

Range No : MC 03

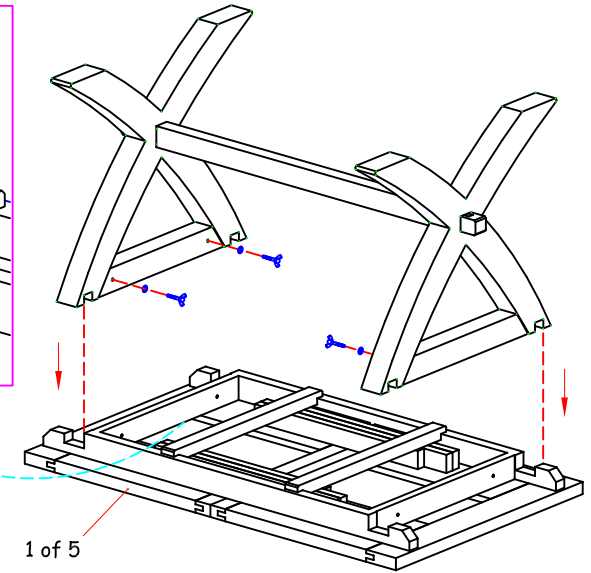
Descriptions :

EXT. DINING TABLE CROSS LEG

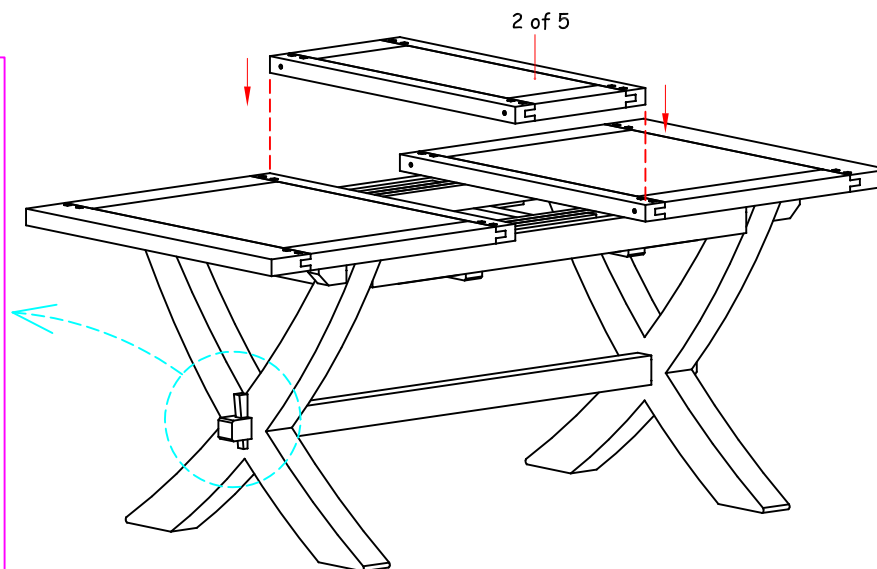
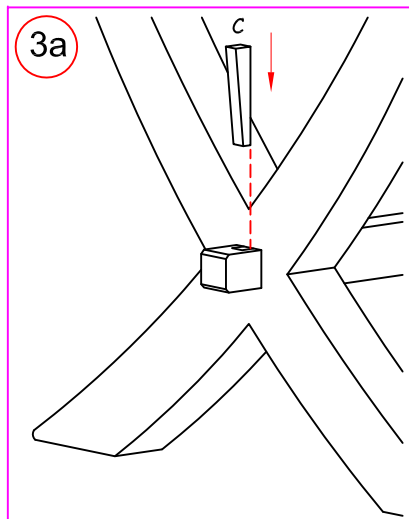
STEP 1



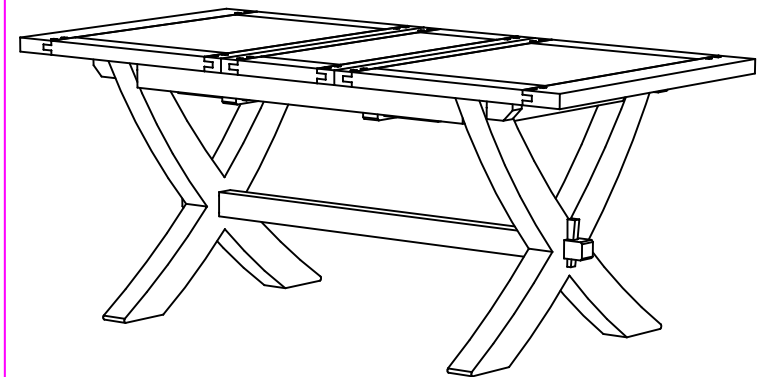
STEP 2



STEP 3

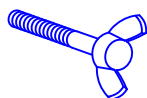


STEP 4



Hardware

A = 4



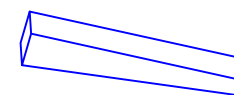
WING BOLT

B = 4



WASHER

C = 2



WOODEN PEG