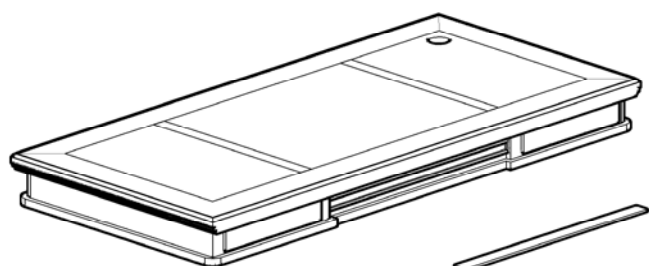
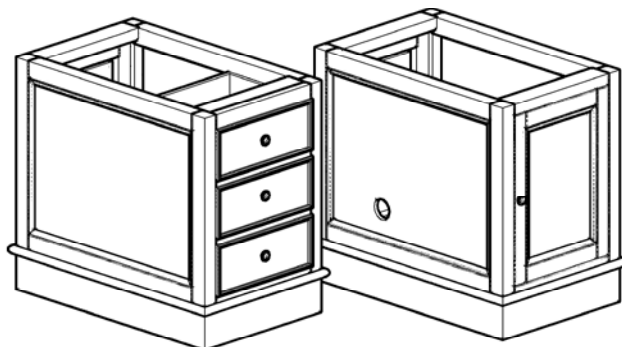


The MO32 - Large Office Desk (Mahogany) is supplied with the following part :



Top Table
1 pc

Ruler
1 pc

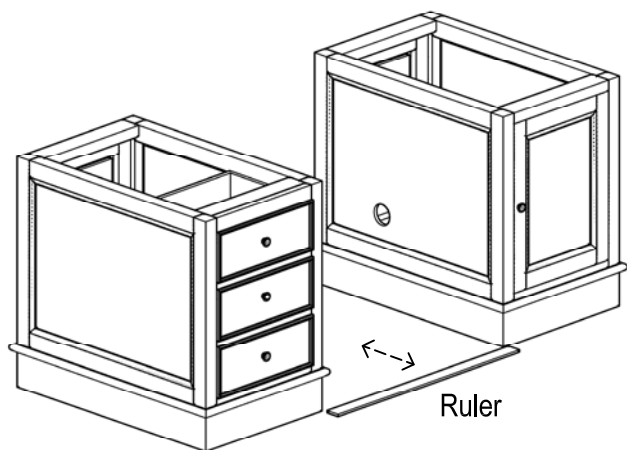


Left Drawer
1 pc

Right Door
1 pc

Step 1

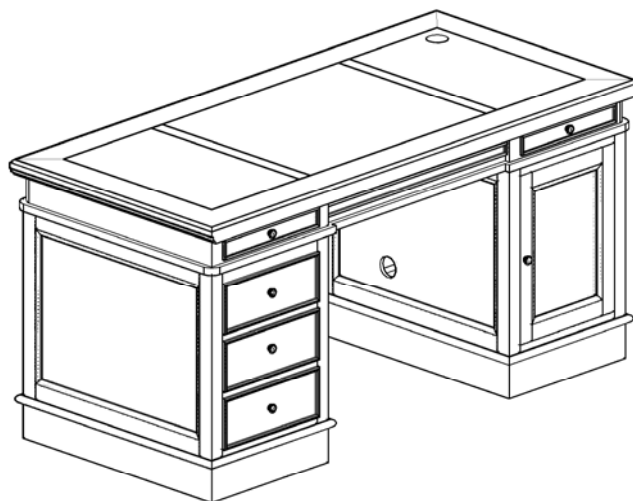
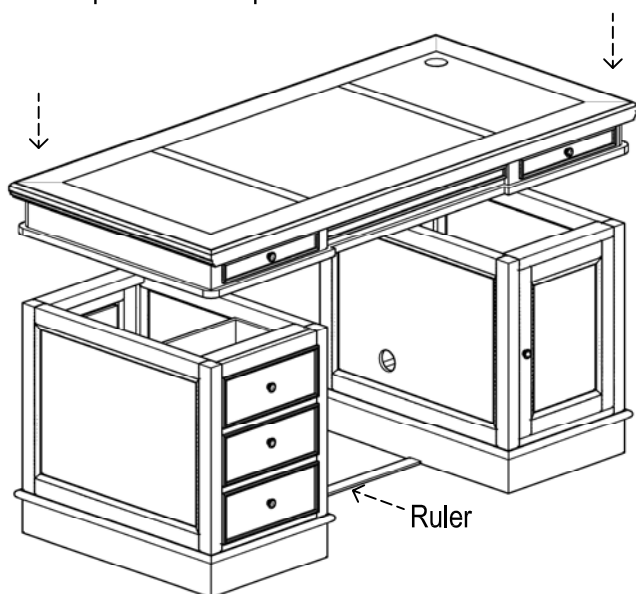
Place Ruler on the floor between Left Drawer and Right Door to measure the correct gap.



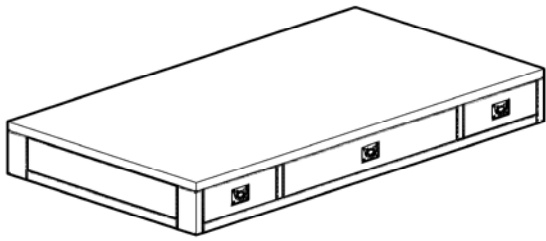
Fully Assembled
Large Office Desk is ready to use

Step 1

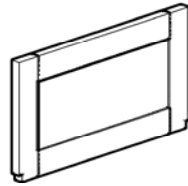
Put the Top Table on Top of the Drawers.



The MO31 - Military Desk (Mahogany) is supplied with the following part :



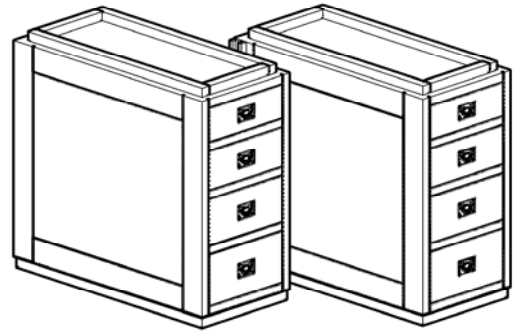
Top Table
1 pc



Back Panel
1 pc



Ruler
1 pc

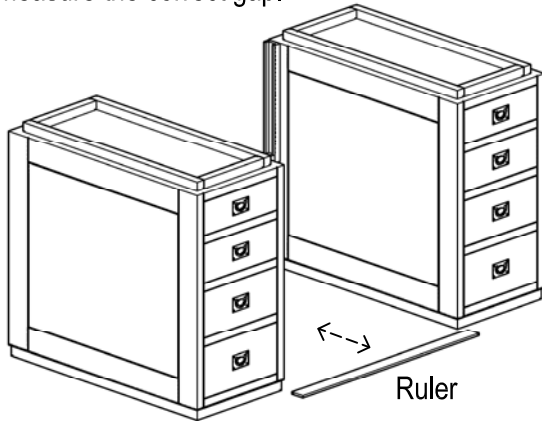


Left Drawer
1 pc

Right Drawer
1 pc

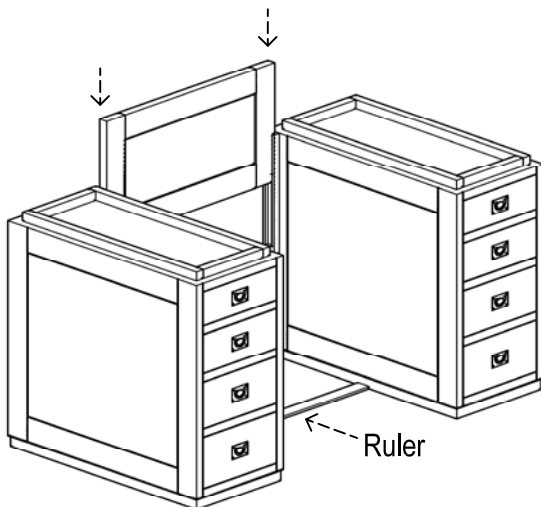
Step 1

Place Ruler on the floor between Left and Right Drawer to measure the correct gap.



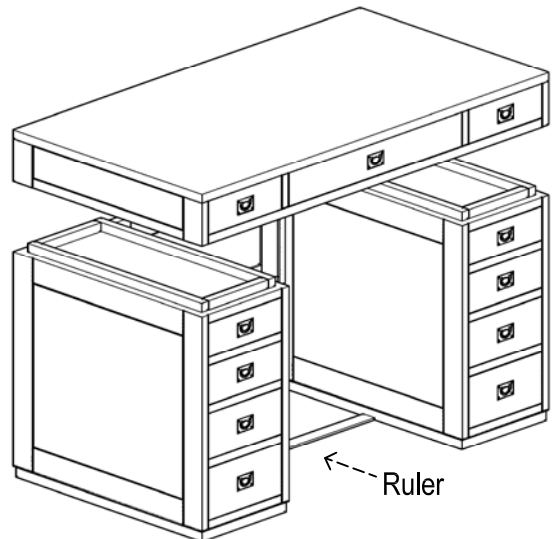
Step 2

Slide down the Back Panel into the slot attached in Left and Right Drawer..



Step 3

Put the Top Table on Top of The Drawers after the Back Panel is securely installed.



Fully Assembled
Military Desk is ready to use

